

O' Lonely®



MAYTAG® COMMERCIAL SOFT-MOUNT, HIGH-SPEED EXTRACTOR

MFS25PN



FLEXIBLE INSTALLATION

Maytag® soft-mount, high-speed extractors feature a suspension system that allows for wooden-floor installations.



MICROPROCESSOR CONTROLS

Maytag® microprocessor controls offer up to 20 programs with 99 steps per program to match the needs of your operation. Multilingual readouts make them easy for anyone to operate.

FOR YOUR OPERATION

- Soft-Mount Installation
- Inverter Drive Technology For Longer Life
- Up to 300 G's In Final Spin
- Easy-To-Operate Microprocessor Controls
- Adjustable Water Temperatures And Levels
- Manual Liquid Chemical Dispenser System
- Ability To Use Powdered Or Liquid Chemical Supply
- 8 Supply Signals
- Extra-Large Drain Valve
- Extra-Large Door And Handle

BUILT-TO-LAST™ FEATURES

- Heavy-Duty Latch And Door Handle
- Durable Sealed Bearings
- Rugged Frame And Cabinet
- Front Access For Easier Service

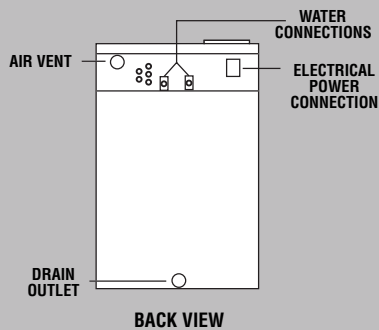
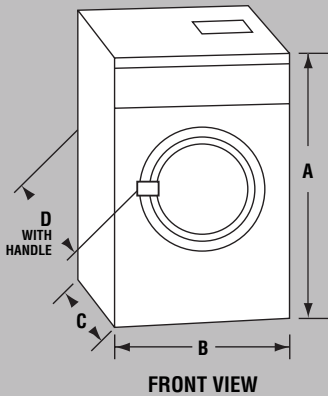


**SPINS UP
TO 300 G's**
TO EXTRACT MORE WATER

LAUNDRY SOLUTIONS YOU CAN *DEPEND* ON.

CLP749

Maytag® Soft-Mount, High-Speed Extractor — MICROPROCESSOR CONTROL



		Soft-Mount, High-Speed Extractor
WASHER SPECIFICATIONS		
MODEL	MFS25PN	
INVERTER DRIVE MOTOR — HP (kw)	2 (1.5)	
VOLTAGE	208 – 240V Single- or Three-Phase	
BREAKER SIZE — amps	15	
CAPACITY — lbs. (kg)	25 (10)	
CYLINDER		
Volume — cu. ft. (liters)	3.29 (93)	
Diameter — in. (cm)	21.06 (54)	
Depth — in. (cm)	16.53 (42)	
WASH SPEED — rpm	50	
DISTRIBUTION SPEED — rpm	100	
HIGH EXTRACT SPEED — rpm	980	
HIGH G-FORCE	300	
WATER INLET — in. (cm)	.75 (1.9)	
DRAIN OUTLETS	1	
DRAIN HOSE — in. (cm)	3 (7.62)	
CABINET		
Stainless Steel	•	
DOOR HANDLE		
Chrome	•	
APPROXIMATE WEIGHT		
Crated — lbs. (kg)	660 (300)	
Uncrated — lbs. (kg)	569 (258)	
DIMENSIONS		
A) Height — in. (cm)	44.6 (113)	
B) Width — in. (cm)	26 (66)	
C) Depth — in. (cm)	31.1 (79)	
D) Depth — in. (cm) — includes door handle and rear vent	34.5 (87.5)	
Door Opening — in. (cm)	11.22 (28.5)	

NEW YORK CITY
M.E.A.



MAYTAG® LIMITED WARRANTY

2 YEARS — ALL PARTS
5 YEARS — SHELL, WELDED FRAME ASSEMBLY, BASKET, SHAFT ASSEMBLY, BEARINGS AND SEALS

For a period from the date of original purchase through the times listed above, the designated parts that fail in normal commercial use will be repaired or replaced free of charge for the part itself, with the owner paying all other costs, including labor, transportation and customs duty. Chemical damage is excluded from all warranty coverage. See complete warranty for details.

